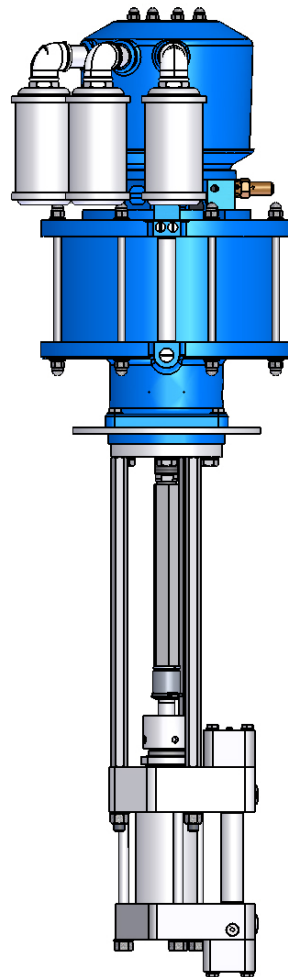


4-Ball Pump

WIWA Pump Series
for high volume transfer
of material at pressure
ratios up to 22 : 1



4-Ball Pump

Technical Details	Model 865		
Pressure Ratio	4:1	11:1	22:1
Output per cycle in ccm (fl.oz.)	865 (29,2)	865 (29,2)	865 (29,2)
Air motor (size mm)	140	230	333
max.operating pressure bar (psi)	32 (464)	88 (1276)	176 (2552)
Order No.	0656175	0656174	0655114

Technical Details	Model 1140		
Pressure Ratio	3:1	8,5:1	17:1
Output per cycle in ccm (fl.oz.)	1140 (38,5)	1140 (38,5)	1140 (38,5)
Air motor (size mm)	140	230	333
max.operating pressure bar (psi)	24 (348)	64 (928)	136 (1972)
Order No.	0655040	0654171	0654237

Technical Details	Model 1820		
Pressure Ratio	2:1	4:1	11:1
Output per cycle in ccm (fl.oz.)	1820 (61,5)	1820 (61,5)	1820 (61,5)
Air motor (size mm)	140	200	333
max.operating pressure bar (psi)	16 (232)	32 (464)	88 (1276)

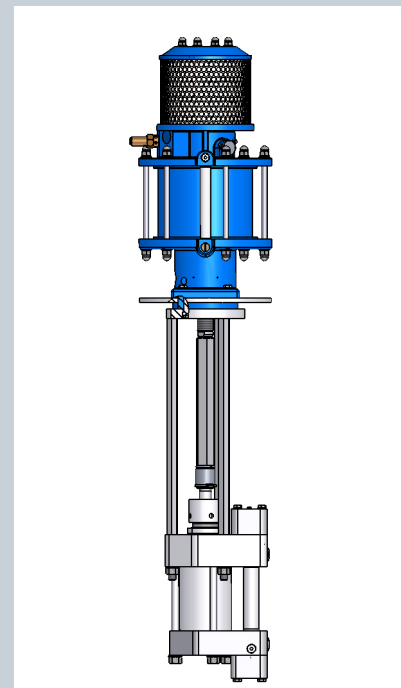
Available Versions:
short (s), long (l) / non-stainless (N), corrosion resistant (R)

Areas of Application

- Paint circulation systems
- Transfer pumps
- Feed pumps
- Mold release spray units

Advantages:

- High pressure ratios up to 22:1
- High outputs up to 1.8 ltr. (61.5 fl.oz) per cycle
- Processes even difficult materials
- All fluid contacted parts in stainless steel
- Fast and user-friendly servicing



4-Ball Pump Model 1820

Headquarters and Production

Wilhelm Wagner GmbH & Co. KG
Gewerbestraße 1-3
D - 35633 Lahnau

Telefon +49 (0) 6441 609-0
Telefax +49 (0) 6441 609-50

E-Mail info@wiwa.de
Internet www.wiwa.de

WIWA Subsidiary USA

WIWA LP
107 N. Main St.
P.O. Box 398, Alger, OH 45812

Tel.: +1-419-549-5180
Fax: +1-419-549-5173

Toll Free: +1-866-661-2139
E-Mail: jwold@wiwalp.com

WIWA Subsidiary China

WIWA Taicang Co., Ltd.
Add: No.87 East Suzhou Rd., Taicang city,
Jiangsu province 215400, P.R.China

Tel: +86-512-5354 8858
Fax: +86-512-5354 8859

Email: info@wiwa-china.com
Internet: www.wiwa-china.com